



MICROSCOPE

DENSIMOPTICS

MICROSCOPE

DENSIMOPTICS

Weight balance system

Well balanced arm provides smooth movement and precise positioning. Wide adjustment range allows for good balance also after auxiliary equipment installation.

LED Light Source

If you respect economy and very bright light with a colour temperature of 6000° Kelvins, near sunlight colour, then this Light Source is for you. The 80 Watt diode is rated at 50 000 hours.

Monitor mount

Monitor stand with adjustable ball-joint can make your treatment visible for your assistant or patient. Result? Patient education and improved team work with your staff.

Reliable support system

Heavy but mobile base with rubberized wheels for firm yet easy movement with breaks for fixing position. See other mounting options on page 6.



WHEN HIGH EXPERTISE AND ACCURACY COUNT

Inclinable binocular

The binocular inclination angle 195° allows an easy adjustment to the most suitable working position. Crucial ergonomy enhancement.

Eye cups

They allow diopter adjustment but are also suitable for doctors working with glasses.

Microscope body

All the optical parts: binocular, magnification changer and lens are located on the microscope body.

Magnificaton switch

Handy knobs located on both sides of the microscope body gives you the ability to select one of five magnification factors.

Fine focus

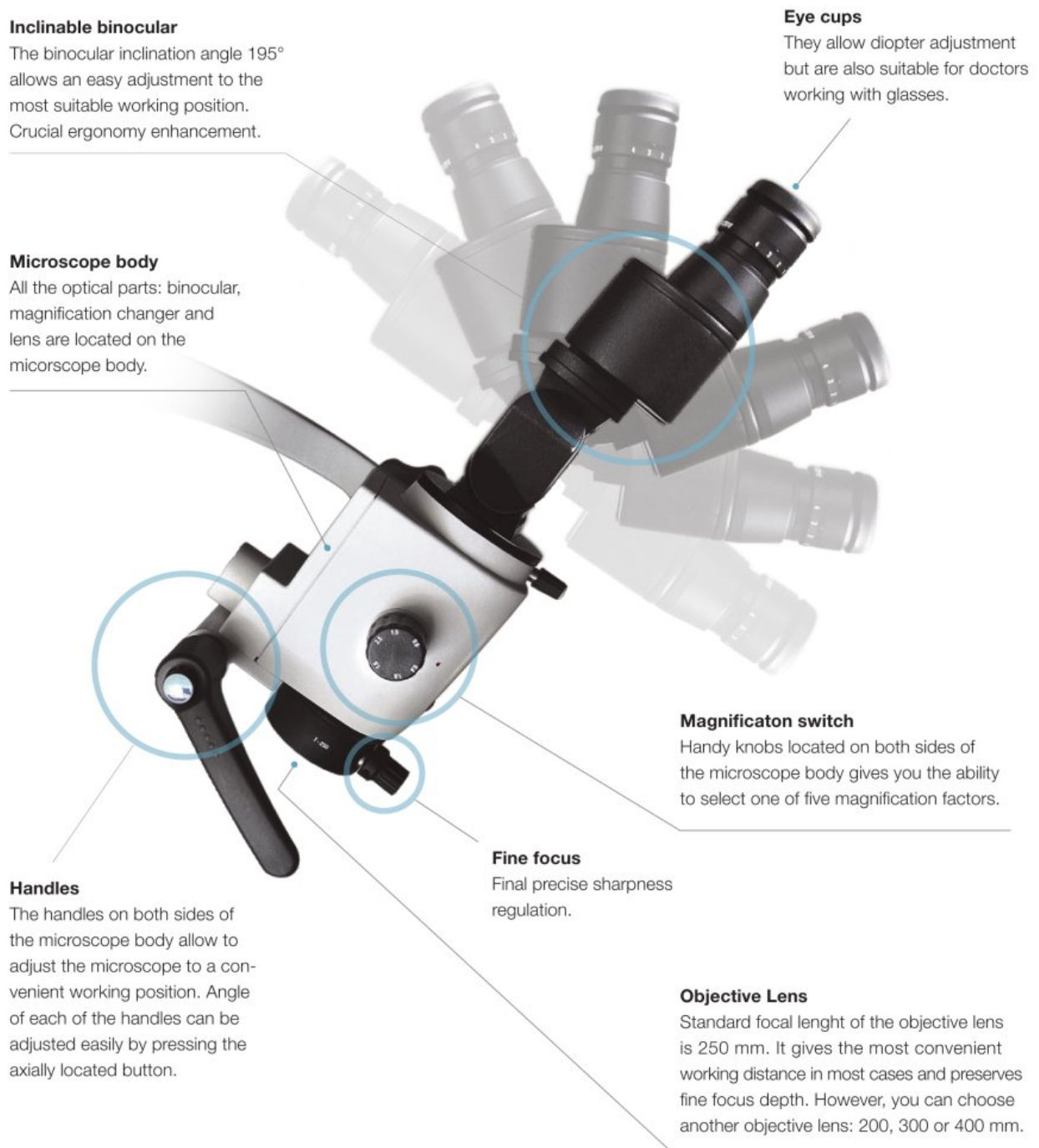
Final precise sharpness regulation.

Handles

The handles on both sides of the microscope body allow to adjust the microscope to a convenient working position. Angle of each of the handles can be adjusted easily by pressing the axially located button.

Objective Lens

Standard focal length of the objective lens is 250 mm. It gives the most convenient working distance in most cases and preserves fine focus depth. However, you can choose another objective lens: 200, 300 or 400 mm.



Vision track with DSLR digital camera

Basic video recording and high - resolution still images for documentation, archive and educational purposes. Customized adaptors for DSLR's and most of compact cameras available on request.



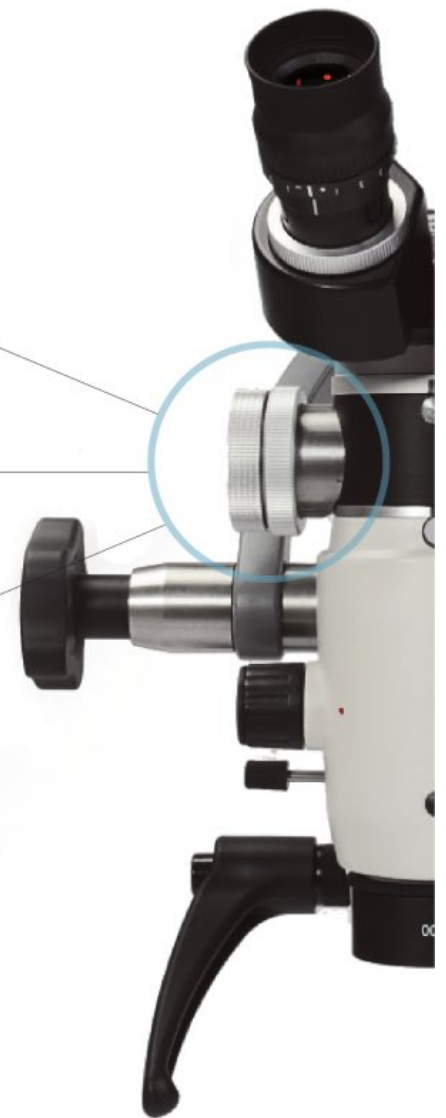
Adapter for camera e.g. Sony, Canon, Nikon

Recommended digital camera with removeable objective for Densim Optics microscopes.



Vision track with camcorder

High resolution preview and recording with your personal video camera recorder e.g. SONY Handycam.



Combination of vision track equipment

Two socketed beam splitter can be armed with any combination of the above devices that can work together at the same time.

SMART ACCESSORIES

VARIETY OF ENHANCEMENTS

Binocular Extender

Applied together with an inclinable binocular allows to maintain a comfortable upright position, reducing muscle strain.

CRUCIAL ERGONOMY
ENHANCEMENT.



Lenses

You can choose among variety of lenses depending on your work

SPECIFICATION:
f-200 mm, f-250 mm,
f-300 mm, f-400 mm



Binocular Rotation Ring

Provides additional comfort. Even when the head of the microscope is angled the ring gives you the possibility to maintain your upright position.



Filters

- **GREEN FILTER**
to work with patients' blood.
- **ORANGE FILTER**
prevents the premature curing of the composite materials.
- **LASER FILTER**
for safe work with laser devices.
- **POLARIZING FILTER**
easy identification of tissue changes.



Lens cap

Protecting the objective lens especially while grinding.



COMPACT & MODERN DESIGN MOUNTING OPTIONS FOR EVERY SURGERY

DENTAL UNIT INTEGRATION

Symbiotic combination of High-Tec equipment to bring perfect results.



MOBILE FLOOR STAND

Construction on wheels allows the movement between sites.



CEILING MOUNT

Ideal positioning for quick access.
Mount for ceiling height above 200 cm.

WALL MOUNT

Mount for wall heights from
90 to 200 cm.

MAGNIFICATION TABLE

Objective Lens		200		250		300		400	
inclinable binocular with adjustable angle 0-195°, f170									
eyepiece	knob position	magnification	field of view mm	magnification	field of view	magnification	field of view	magnification	field of view
10x/16 mm	1 (0.4x)	3,40	47,06	2,72	58,82	2,27	70,48	1,70	94,12
	2 (0.6x)	5,10	31,37	4,08	39,22	3,40	47,06	2,55	62,75
	3 (1x)	8,50	18,82	6,80	23,53	5,66	28,27	4,25	37,65
	4 (1.6x)	13,60	11,76	10,88	14,71	9,06	17,66	6,80	23,53
	5 (2.5x)	21,25	7,53	17,00	9,41	14,17	11,29	10,63	15,06
12.5x/16 mm	1 (0.4x)	4,25	47,06	3,40	58,82	2,83	70,67	2,13	93,90
	2 (0.6x)	6,38	31,35	5,10	39,22	4,25	47,06	3,20	62,50
	3 (1x)	10,63	18,81	8,50	23,53	7,08	28,25	5,30	37,74
	4 (1.6x)	17,00	11,76	13,60	14,71	11,32	17,67	8,50	23,53
	5 (2.5x)	26,58	7,52	21,25	9,41	17,71	11,29	13,33	15,00

BASE CONFIGURATION

BINOCULAR

with adjustable angle 0-195°

LENS

working distance 250 mm

LIGHT SOURCE

LED; high performance fiber optic cable

FILTER

green or orange

VERSION

mobile version floor stand

ARM LENGTH

standard 90 cm

We are always ready to meet our clients expectations by learning their needs and presenting the opportunities that DENSIM OPTICS has to offer. Our consultants will help you to choose the best option so you could perform your work as you have always desired.

SYSTEM COMPONENTS

BINOCULARS

- with adjustable angle 0-195°
- all of diopter adjustment

LENS

- working distance 200 mm - 250 mm - 300mm - 400mm

LIGHTING SYSTEM

- LED light source 6000 °K 50 klux
- high performance fiber optic cable

FILTERS

- green
- orange
- to work with laser
- polarizing

MOUNTING OPTIONS

- mobile floor stand • wall mount • stand floor
- ceiling mount • table mount

MICROSCOPE ARM:

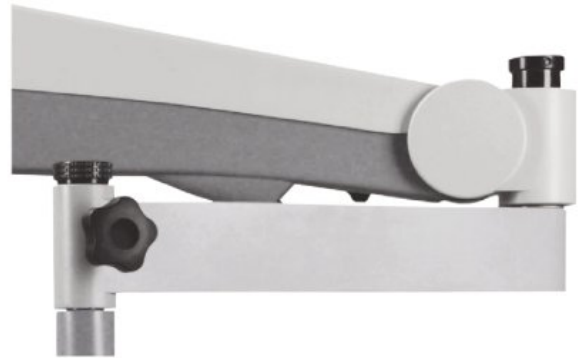
- standard 90 cm - short 60 cm
- 28 cm additional arm extension

VISION TRACK:

- double beamsplitter
- binocular extender with double beamsplitter
- camera DSLR adapter
- camera camcorder adapter
- camera Sony, Canon, Nikon adapter
- monitor mount

Arm extension

Provides an additional reach of 28 cm.
Increases the microscope's flexibility
and maneuverability in tight spaces.



Extended Arm

- Standard arm length – 90 cm
- Short arm length – 60 cm



USING LONGER ARM ENABLES
YOU TO LOCATE YOUR MICROSCOPE
IN A MORE CONVENIENT PLACE THAT
INCREASES ROOM TO MANOEUVRE AND
MAKES SPACE ARRANGMENT EASIER.



„Modern technologies like microscope brings daily to my work in endodontics, periodontics but as well in restorative treatments a lot of precision, which helps me significantly to improve job results and this is huge value for me and my patients.“

Dr. Zbynek Vrba / Dentist



© All rights reserved
EN

DENSIM

DENSIM DENTAL INSTRUMENTS a brand by
DIPLOMAT DENTAL s.r.o., Vrbovská cesta 17, 921 01 Piešťany, Slovak republic
T 00421 33 79 54 111, F 00421 33 77 26 326, info@densim.com

www.densim.com